

# Equivalent lengths – mm and cm

1 There are 10 millimetres (mm) in 1 centimetre (cm).  
Use the bar models to complete the sentences.

1 cm
10 mm

a)

1 cm	1 cm	1 cm

There are  mm in 3 cm.

b)

1 cm	1 cm	1 cm	1 cm	1 cm	1 cm	1 cm

There are  mm in 7 cm.

c)

10 mm	10 mm	10 mm	10 mm

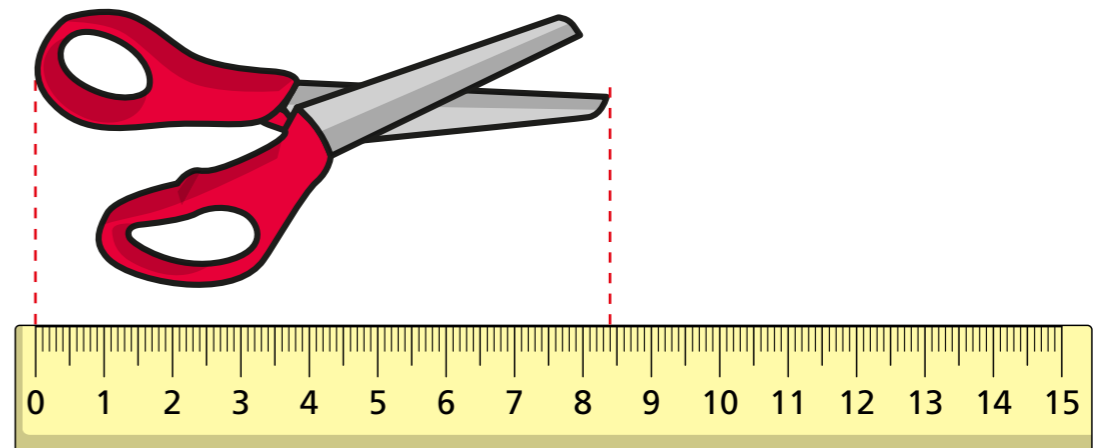
There are 40 mm in  cm.

2 Match the equivalent lengths.

1 cm 3 mm	3 cm 1 mm	30 mm	33 mm	30 cm
-----------	-----------	-------	-------	-------

300 mm	13 mm	31 mm	3 cm 0 mm	3 cm 3 mm
--------	-------	-------	-----------	-----------

3 How long are the scissors?



The scissors are  cm and  mm long.

The scissors are  mm long.



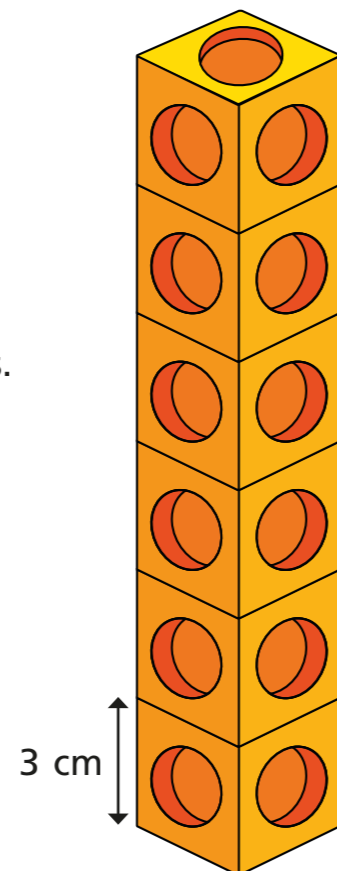
- 4 Find three items in your classroom.  
Measure them and complete the table.  
One has been done for you.

Item	Length in cm and mm	Length in mm
toy car	9 cm 6 mm	96 mm

- 5 Filip and Kim are building towers using cubes.  
Each cube is 3 cm high.

- a) Filip uses 6 cubes.  
How tall is Filip's tower?  
Give your answer in millimetres.

Filip's tower is  mm tall.



- b) Kim's tower is 300 mm tall.

How many cubes does she use?

Kim uses  cubes.

- 6 Complete the bar models.

